

Pieve d'Alpago, November 18th, 2010

Ref C10-DCvv15

CIRCULAR LETTER

RE: EWPA Pressure transducers phase out and replacement

Dear Customers,

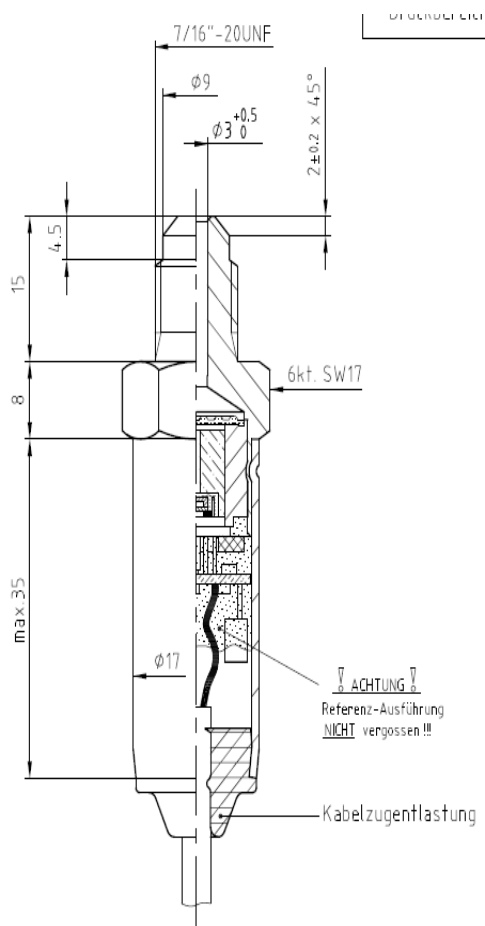
We are hereby informing you that, due to the lack of availability of a component that has become obsolete, we are forced to phase out the current EWPA Pressure Transducers with **immediate effect**.

Meanwhile please be informed that new models have been developed. The new models are interchangeable with the obsolete ones according to the following X-Reference table, drawing and technical details, which we invite you to carefully read:

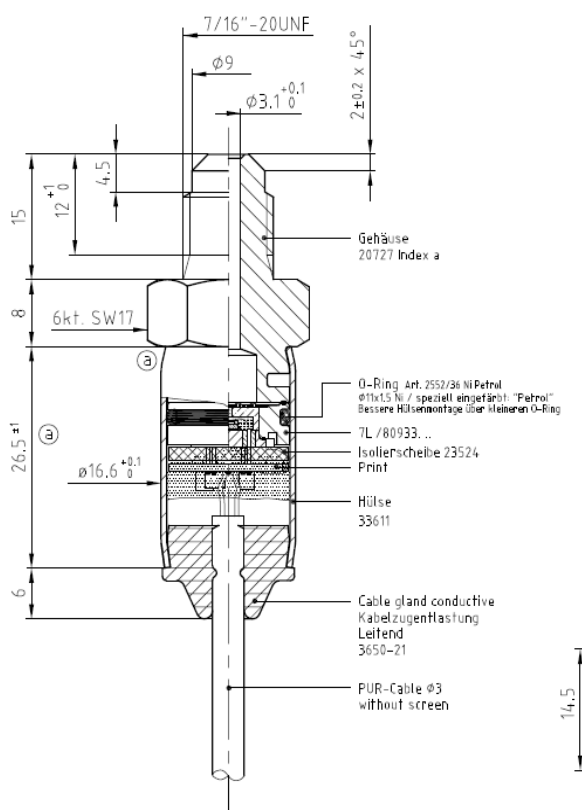
NEW PART NUMBER	DESCRIPTION	PRESSURE	OBSOLETE CODE (NO LONGER AVAILABLE)	AVAILABLE FROM
TD220007	EWPA 007 4/20mA 0,5-8 BAR 1/4 SAE MASCHIO-MALE	Absolute	TD200107	AVAILABLE NOW
TD220030	EWPA 030 4/20mA 0-30 BAR 1/4 SAE MASCHIO-MALE	Relative	TD200130	AVAILABLE NOW
TD220050	EWPA 050 4/20mA 0-50 BAR 1/4 SAE MASCHIO-MALE	Relative	NEW	AVAILABLE NOW
TD320007	EWPA 007 4/20mA 0,5-8 BAR 1/4 SAE FEMMINA-FEMALE	Absolute	TD300008	AVAILABLE NOW
TD320010	EWPA 010 4/20mA 0-10 BAR 1/4 SAE FEMMINA-FEMALE	Absolute	TD300010	AVAILABLE NOW
TD320030	EWPA 030 4/20mA 0-30 BAR 1/4 SAE FEMMINA-FEMALE	Relative	TD300030	AVAILABLE NOW
TD320050	EWPA 050 4/20mA 0-50 BAR 1/4 SAE FEMMINA-FEMALE	Relative	TD300050	AVAILABLE NOW
TD420010	EWPA 010 Raziometrico 0-5V 0-10 BAR FEMMINA-FEMALE	Relative	TD400010	JANUARY 2011
TD420030	EWPA 030 Raziometrico 0-5V 0-30 BAR FEMMINA-FEMALE	Relative	TD400030	JANUARY 2011
TD420050	EWPA 050 Raziometrico 0-5V 0-50 BAR FEMMINA-FEMALE	Relative	TD400050	JANUARY 2011

EWPA 4-20mA details

Phasedout model



New model



Technical details	NEW MODEL	OLD MODEL
Range	0...30 bar relative PA ref 0,5...8 bar absolute PAA ref	0...30 bar relative PA ref 0,5...8 bar absolute PAA ref
Output signal	2 wires 4...20 mA	2 wires 4...20 mA
Volt rating	8...32 Volt	8...28 Volt
Total Accuracy	± 0,5 % FS max	± 0,5 % FS max
Compensated Temperature range	0°... 50°C	0°... 50°C
Electrical Connections	Cable 2 meters	Cable 2 meters
Fitting	7/16"-20 UNF MALE or FEMALE	7/16"-20 UNF MALE or FEMALE
Working Temperature	-40...100°C	- 20...80°C
Global Error @ T 0...50°C	max. ±1,0%FS	max. ±1,0%FS
Global Error @ T -10...80°C	max. ±1,5%FS	max. ±2,5%FS
IP protection class - cable	IP54	IP65
Sensor head	AISI 316L	AISI 316L

We ask you to kindly take note that the pending orders for the old phased out codes will be automatically updated and executed with the new models according to the am X-reference.

Eliwell Staff remains at disposal for any further information or clarification you should require.

With our best regards.

Eliwell Controls S.r.l.
Sales Dept.